

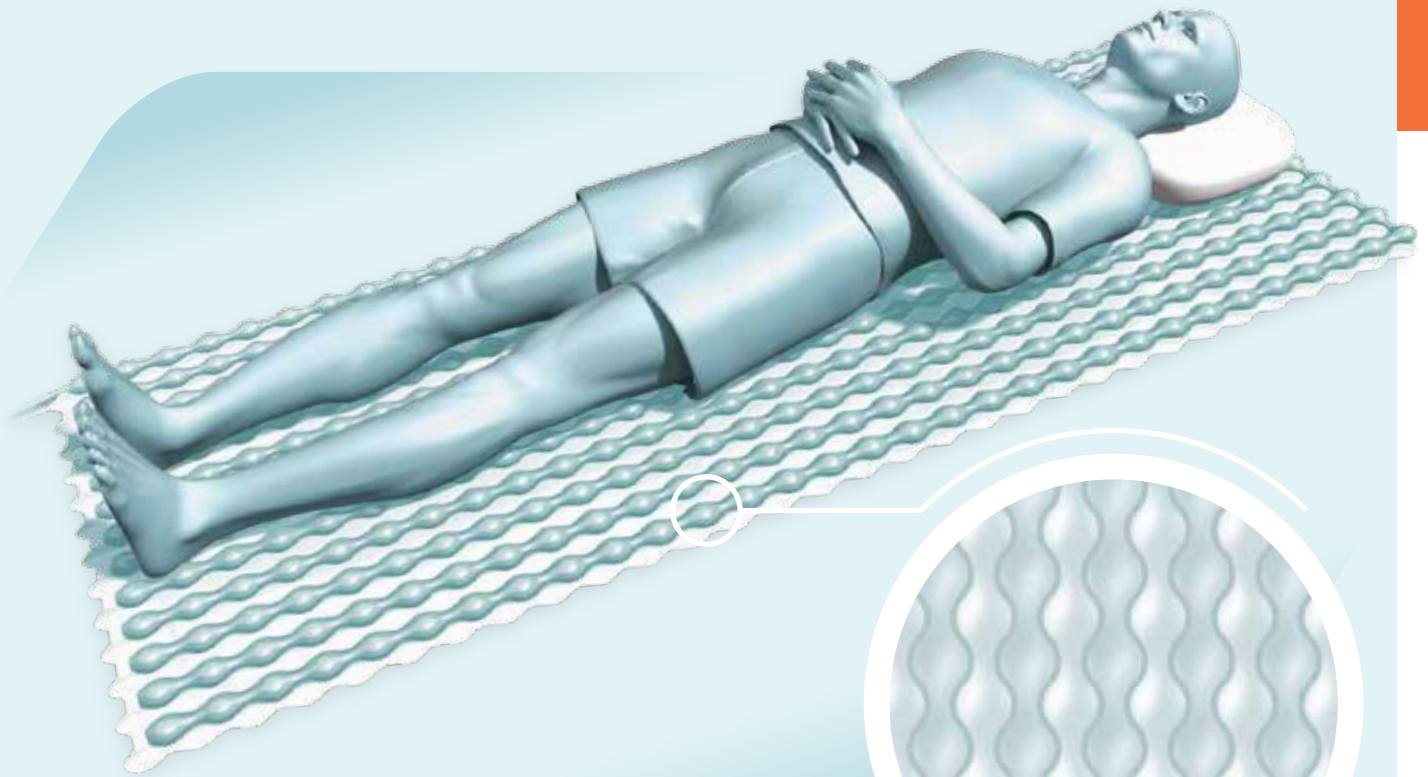
DABIRAIR™

MICROPRESSURE

DABIR SURFACES: ADVANCED HUMAN INTERFACE TECHNOLOGIES

dabir-surfaces.com

MICROPRESSURE



MODEL DA-303584 MEDSURG OVERLAY



DabirAIR Micropressure Overlays are engineered using small, closely spaced comfort nodes which dynamically alternate in height to relieve at-risk tissue of pressure ulcer formation. Our goal is to preserve the body's natural circulatory components of arterial, venous and lymphatic blood flow in between these localized areas of patient support.

- Multi-Patient / Semi-Disposable
- Alternating Nodal Support
- Reduced Skin Shear
- Easy Wipe-Down Cleaning
- Covers with Standard Sheets

ONE MISSION:
TO REDUCE THE RISK OF PRESSURE ULCERS

 **DABIR™**
SURFACES

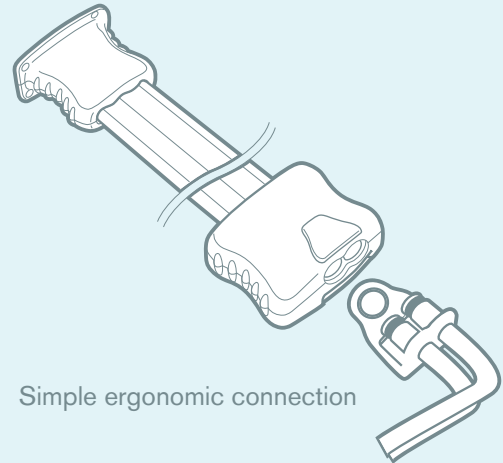
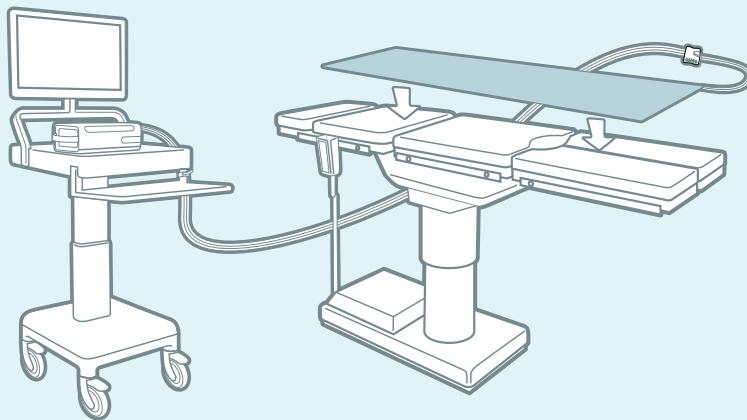
SPECIFICATIONS

MODEL	DA-101884	DA-303584
	SURGICAL	MEDSURG
Cleanable	Yes (Standard Wipes)	
Disposable (Optional)	Yes	
Self-Contouring	Yes	
Microclimate Feature	NA	Optional
Usage Life (Cumulative)	120 Hrs.	720 Hrs.
Typical Replacement	30 Days (In Application)	
Length	2134 mm (84 in.)	2134 mm (84 in.)
Width	438 mm (17 in.)	838 mm (33 in.)
Deflated Height	2 mm (0.1 in.)	2 mm (0.1 in.)
Inflated Height	25 mm (1 in.)	25 mm (1 in.)
Weight	1.54 kg (3.4 lbs.)	2.95 kg (6.5 lbs.)
Intelligent / Wireless Data Collection	RFID Technology	
Warranty	1 Year Limited	

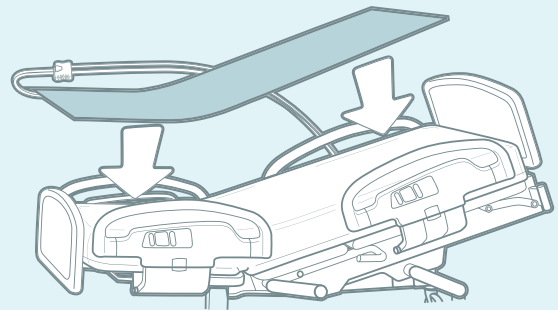
No latex is used in the manufacturing of this product
Data subject to change



Follow instructions for use



Simple ergonomic connection



Covers with standard bed sheet.
(Customer supplied. Not shown)



We encourage customer feedback so that we may continuously improve our products and services. Working together, we can achieve our goal of reducing pressure ulcer risk and improving patient outcomes.

24585 Evergreen Road, Southfield, MI 48075 USA
Tel: +1 (248) 796-0802
Fax: +1 (248) 354-6667

SALES

sales@dabir-surfaces.com

TECHNICAL AND WARRANTY SUPPORT

support@dabir-surfaces.com

Tel: +1 (885) 478-0694



dabir-surfaces.com